



016-QMS

SENVAC SVC 300/550 AC ATEX certified  
Central / Mobile High Vacuum System for Dust

# SENVAC SVC ATEX Series

## Central / Mobile High Vacuum System for Dust

SENVAC SVC ATEX Series is good to recommend collecting the compostable dust from the generation area through on source or from the floor both accessible area with or without wheels. The vacuum system self protected explosion proof designed as per ATEX series & certified according to the ATEX Zone 21 & ATEX Zone 22.

Our machines can also easily integrate with process area's manufacturing machines for entire Production facilities. The unique design can cover many applications in a single machine.



### Application Range:

- Automobile • Cement & Minerals • Composite & Plastic
- Engineering Industries • Food Processing • Foundry
- Metal Work like Welding, Plasma & Laser Fume
- Pharmaceutical Industry • Custom OEM Application

### Benefits :

- Outstanding Suction Power.
- High Performance Extraction for Dust/Fume.
- Low operating costs with cleanable long life filter cartridge.
- Compact design, minimal space requirement.



## Features



### Filter Chamber

The filter chamber guarantees uniform distribution of the dust load throughout the filter, low pressure loss and low flow speed through out the filter. The filter can be cleaned offline too. The complete filter system grouped as per Atex norms

### High Efficiency Side Channel Blower



Ensures Maximum Extraction Performance



Integrated HEPA Filter

### HEPA Filter

HEPA Filter has high filter surface area. It is made up of paper medium with rigid construction up to the efficiency of 99.93%.

## Newly Designed Control Unit



## Collection Container



## Different Types of Filter Cartridges

- Polyester, 4.7 m<sup>2</sup> / 6.2 m<sup>2</sup> with 99.9% efficiency. Dust class 'M' ( DIN EN 60335-2-69)
- Polyester antistatic by aluminium finishes, 4.7 m<sup>2</sup> / 6.2 m<sup>2</sup> with 99.9% efficiency. Dust class 'M' (DIN EN 60335-2-69)
- Polyester PTFE coating, 4.7 m<sup>2</sup>/6.2m<sup>2</sup> with 99.9% efficiency. Dust class 'M' (DIN EN 60335-2-69)
- Polyester ePTFE membrane, 4.7 m<sup>2</sup>/6.2m<sup>2</sup> with 99.9% efficiency. Dust class 'M' (DIN EN 60335-2-69)

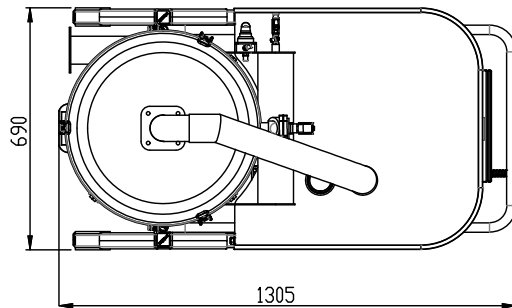
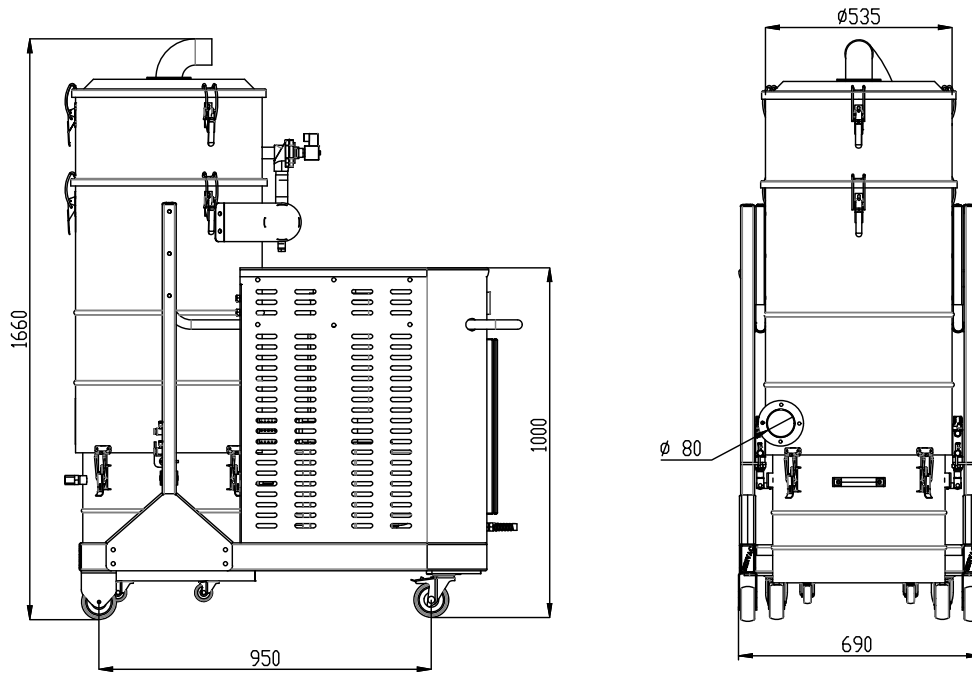


## Technical Specifications

Model	Units	SVC 300 ATEX	SVC 550 ATEX
ATEX Zone 21	Marking	Ex II 1/2D IIIC IP65 T135°C	Ex II 1/2D IIIC IP65 T135°C
ATEX Zone 22	Marking	Ex II 1/3D IIIB IP65 T135°C	Ex II 1/3D IIIB IP65 T135°C
Power	KW/HP	3/4	5.5/7
Voltage	V	400/3	400/3
Frequency	Hz	50	50
Max. Airflow	m <sup>3</sup> /h	300	550
Max. Vacuum Pressure	mm of H <sub>2</sub> O	2800	2800
Filter Cartridge	Nos.	1	1
Filter Surface Area	sq.m	10	10
Air Load on Filter	m <sup>3</sup> /m <sup>2</sup> /h	50	55
Filter Type	-	Polyester	Polyester
Filter Cleaning Method	-	Automatic Pulse Jet Cleaning System	Automatic Pulse Jet Cleaning System
Filter Efficiency	-	99.7%	99.7%
Collection Container	Lt	70	70
Suction Inlet	mm	80	80
Noise Level	dbA	76	76
Protection Class	IP	65	65
Dimensions (LxWxH)	cm	180 x 66 x 140	180 x 66 x 140
Weight	kg	124	146

# SENVAC 300/550 ATEX

All Dimensions are in "mm"



**SENVAC EXTRACTION SYSTEM PVT LTD**

5/589-A1, Kuppanaickenpalayam, Kanuvai Post, Coimbatore - 641 108.  
Ph: +91 422 2404388 | Email: info@senvac.org | www.senvac.in